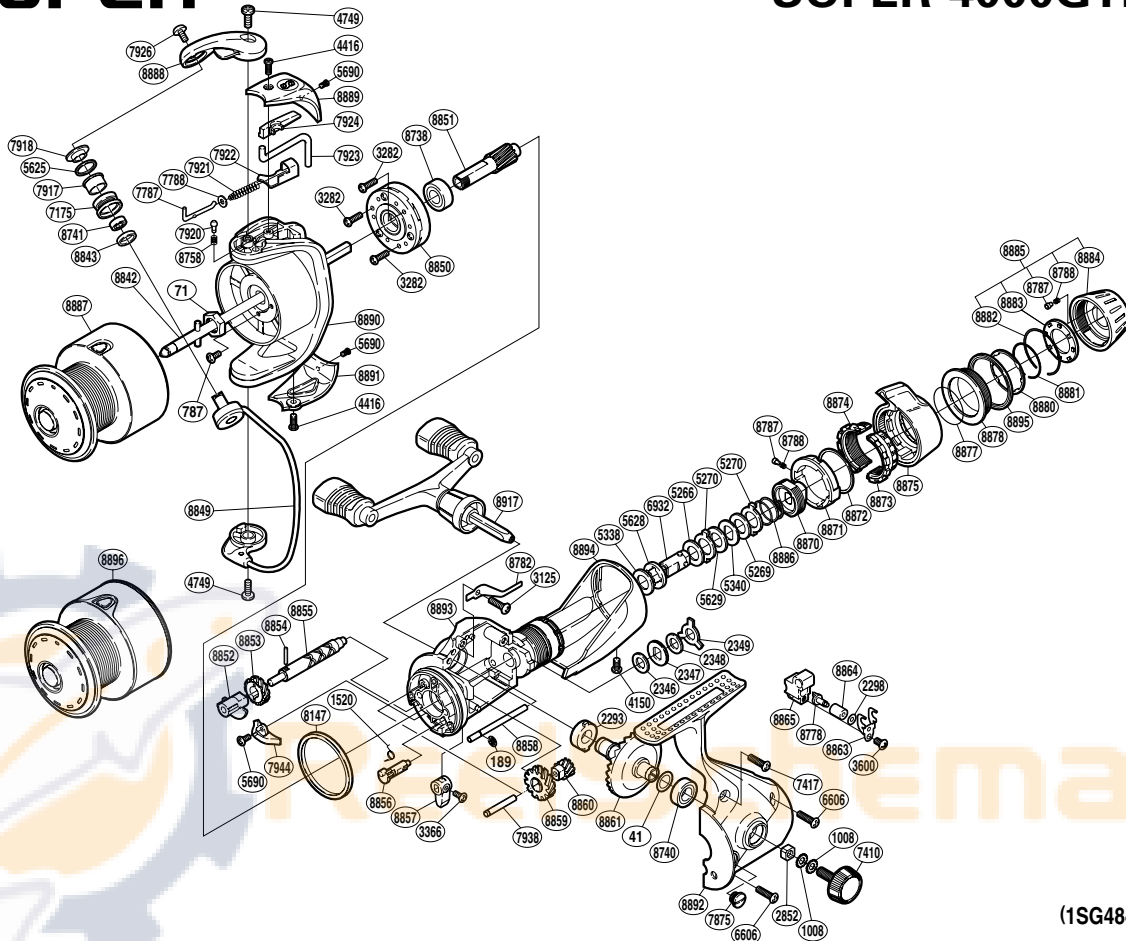


# SHIMANO®

## SUPER

## SUPER-4000GTRA



(1SG484001G)

Part No.	Description	Part No.	Description	Part No.	Description
RD 0041	Drive Gear Washer	RD 7787	Bail Spring Guide (A)	RD 8858	Oscillating Guide
RD 0071	Rotor Nut	RD 7788	Spring Guide (A) Support	RD 8859	Idle Gear (B) Large
RD 0189	"E" Lock	RD 7875	Oil Cap	RD 8860	Idle Gear (B) Small
RD 0787	Nut Lock Screw	RD 7917	Line Roller Bushing	RD 8861	Drive Gear
RD 1008	Handle Lock Washer	RD 7918	Line Roller Washer	RD 8863	Oscillating Slider Retainer
RD 1520	Anti-Reverse Cam Spring	RD 7920	Click Pin (A)	RD 8864	Oscillating Slider Bushing
RD 2293	Drive Gear Bushing	RD 7921	Bail Spring	RD 8865	Oscillating Slider
RD 2298	Spacer	RD 7922	Bail Spring Seat	RD 8870	Pressure Screw
RD 2346	Drag Washer "C" (cloth)	RD 7923	Bail Trip Lever	RD 8871	Lever Click Gear
RD 2347	Click Gear	RD 7924	Bail Trip Cover	RD 8872	Fightin' Pressure Screw Washer
RD 2348	Drag Washer "C" (blue)	RD 7926	Line Roller Screw	RD 8873	Fightin' Pressure Screw
RD 2349	Eared Washer "Bf"	RD 7938	Idle Gear (B) Shaft	RD 8874	Fightin' Pressure Screw (B)
RD 2852	Handle Screw Lock	RD 7944	Bail Trip Strike	RD 8875	Fightin' Lever
RD 3125	Drag Click Screw	RD 8147	Friction Ring	RD 8877	Drag Knob Friction Ring
RD 3282	Roller Clutch Screw	RD 8738	Ball Bearing	RD 8878	Drag Programmer (B)
RD 3366	Anti-Reverse Lever Screw	RD 8740	Ball Bearing	RD 8880	Drag Knob Washer
RD 3600	Slider Retainer Screw	RD 8741	Ball Bearing	RD 8881	Drag Knob Retainer
RD 4150	Rear Protector Screw	RD 8758	Click Spring (A)	RD 8882	Click Plate Retainer
RD 4416	Protector Screw (A)	RD 8778	Oscillating Pawl	RD 8883	Click Plate
RD 4749	Multi-Purpose Screw	RD 8782	Drag Click	RD 8884	Drag Programmer (A)
RD 5266	Drag Washer "H" (cloth)	RD 8787	Click Pin (B)	RD 8885	Drag Programmer Assembly
RD 5268	Drag Shaft (B)	RD 8788	Click Spring (B)	RD 8886	Drag Coil Spring
RD 5269	Drag Washer "H" (blue)	RD 8842	Main Shaft	RD 8887	Spool Assembly (aluminum)
RD 5270	Eared Washer "B"	RD 8843	Bearing Spacer	RD 8888	Bail Arm
RD 5338	Drag Washer "C" (cloth)	RD 8849	Bail Assembly	RD 8889	Bail Spring Cover
RD 5340	Key Washer "A"	RD 8850	Roller Clutch Assembly	RD 8890	Rotor
RD 5625	Line Roller Spacer	RD 8851	Pinion Gear	RD 8891	Bail Hold Support Guard
RD 5690	Multi-Purpose Screw	RD 8852	Worm Bushing (front)	RD 8892	Side Cover
RD 6606	Side Cover Screw (long)	RD 8853	Idle Gear	RD 8893	Body
RD 6932	Drag Shaft (A)	RD 8854	Worm Shaft Pin	RD 8894	Rear Protector
RD 7175	Line Roller	RD 8855	Worm Shaft	RD 8895	Drag Programmer (B) Ring
RD 7410	Handle Screw Cap	RD 8856	Anti-Reverse Cam	RD 8896	Spool Assembly (graphite)
RD 7417	Side Cover Screw (short)	RD 8857	Anti-Reverse Lever	RD 8917	Double Paddle Handle Assembly